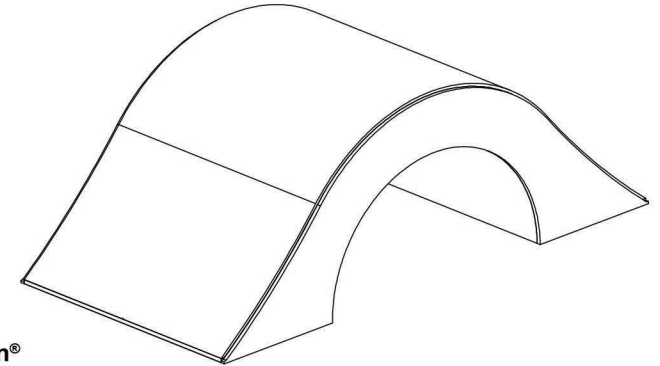
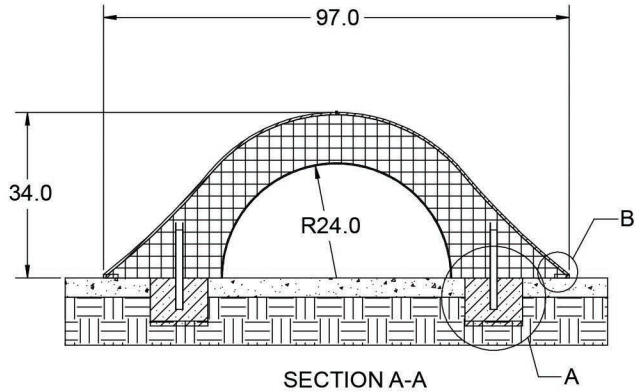


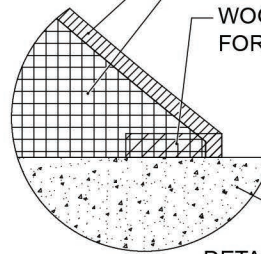
# PlayMounds

Standard Bridge



**PlayMounds™ Patented Layering System by ForeverLawn®**

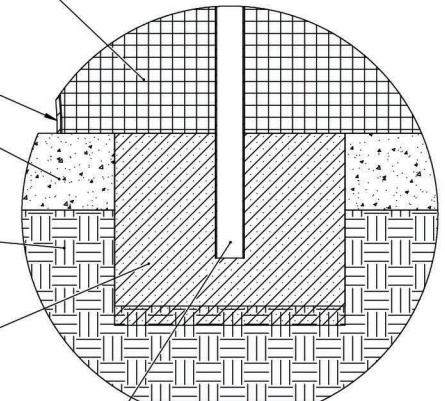
- EPP PROTECTIVE FOAM LAYER
- EPS GEO FOAM CORE
- WOOD NAILER FOR SECURING FOREVERLAWN TURF



DETAIL B  
SCALE 1:3

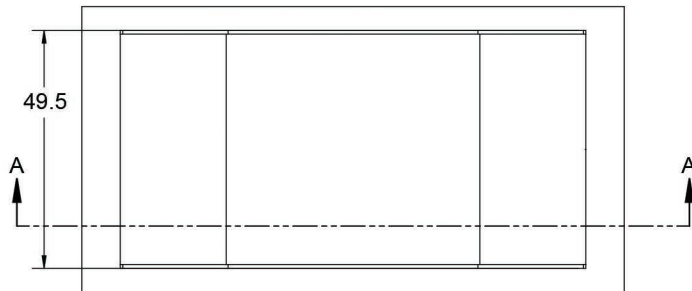
### GROUND ANCHORING SYSTEM

- EPS GEO FOAM CORE
- HDPE LINER
- 4" OF CRUSHED STONE
- FILL DIRT
- CONCRETE FOOTER

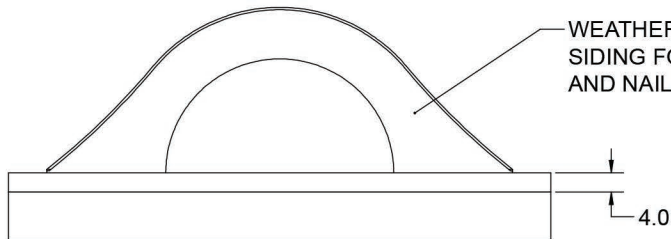


GALVANIZED STEEL POLE GLUED INTO GEO FOAM WITH URETHANE EXPANDABLE FOAM THEN SUNK INTO THE CONCRETE FOOTER

DETAIL A  
SCALE 1:5



WEATHER PROOF WOOD SIDING FOR DURABILITY AND NAILING TO THE TURF



PLAYMOUND SECTIONS MUST BE GLUED TOGETHER USING GREAT STUFF PRO™

Units: Feet and inches



330.499.8873 • foreverlawn.com  
8007 Beeson St., Louisville, OH 44641



microsite.caddetails.com/1148

Material	Polystyrene	
Covering	Turf (sold separately)	
Weight	112 lb (152 lb turfed)	
Drawing No.	M1368	05/26