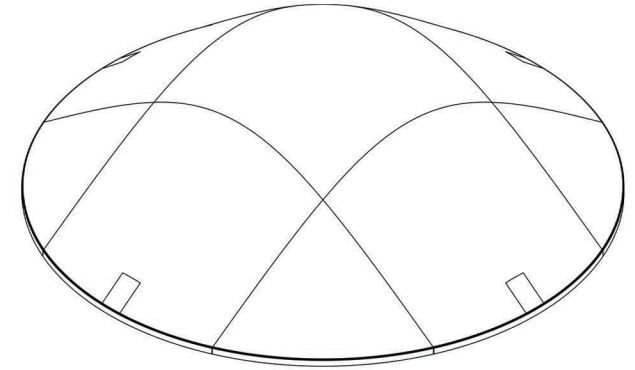
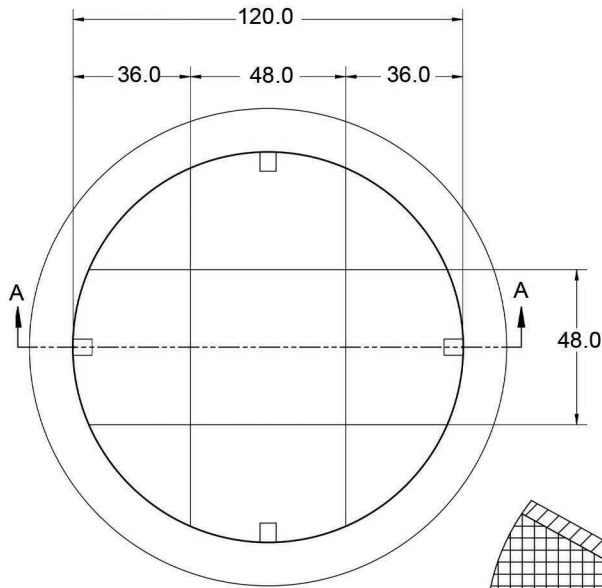


# PlayMounds

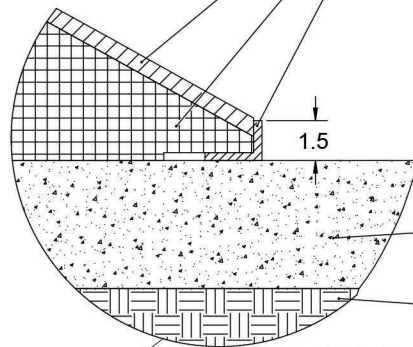
Standard PlayMound – 10'



**PlayMounds™ Patented Layering System by ForeverLawn®**

- EPP PROTECTIVE FOAM LAYER
- EPS GEO FOAM CORE
- HDPE NAILER FOR SECURING FOREVERLAWN TURF

**GROUND ANCHORING SYSTEM**



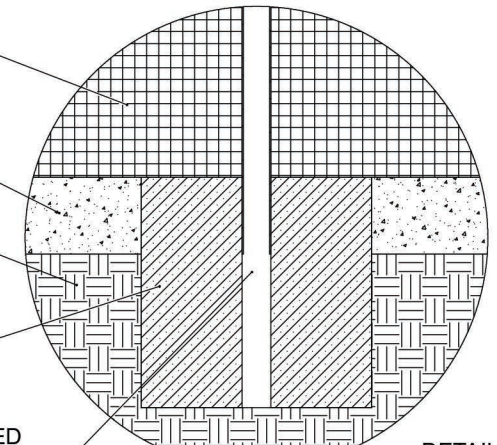
DETAIL A  
SCALE 1:3

EPS GEO FOAM CORE

4" OF CRUSHED STONE

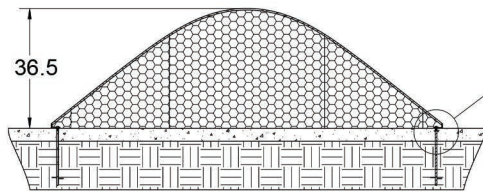
FILL DIRT

CONCRETE FOOTER



DETAIL B  
SCALE 1:5

GALVANIZED STEEL POLE GLUED INTO GEO FOAM WITH URETHANE EXPANDABLE FOAM THEN SUNK INTO THE CONCRETE FOOTER



SECTION A-A

Units: Feet and inches



330.499.8873 • foreverlawn.com  
8007 Beeson St., Louisville, OH 44641



[microsite.caddetails.com/1148](http://microsite.caddetails.com/1148)

Material	Polystyrene	
Covering	Turf (sold separately)	
Weight	325 lb	
Drawing No.	M1469	05/26